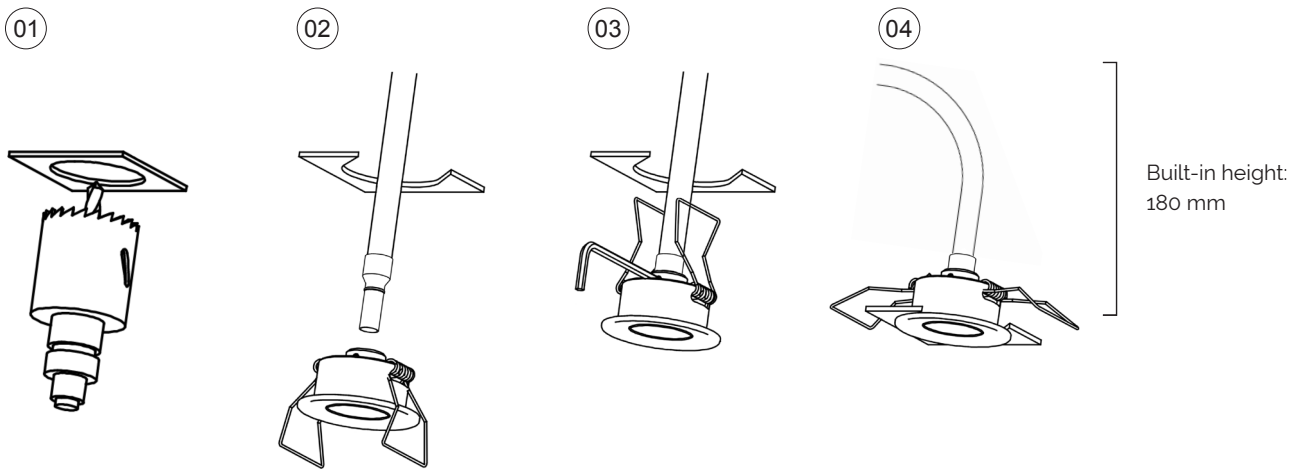


# INSTALLATION POINT LIGHT

## INSTALL THE POINT LIGHT

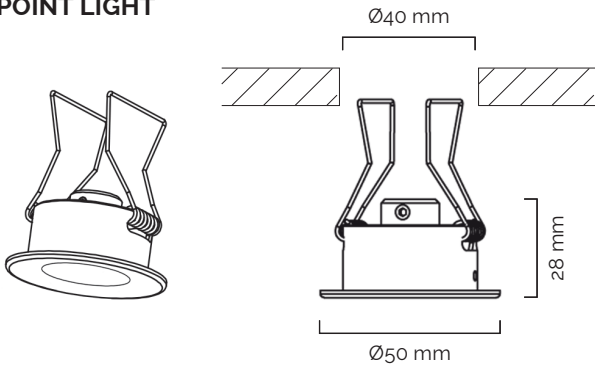
1. Drill a hole into the ceiling or surface where the luminaire should be recessed. For soft and hard ceiling drill a 40 mm hole.
2. Bring the fiber optic cable through the hole.
3. Attach the optical fiber cable to the luminaire with an Allen key.
4. Insert the luminaire into the opening.



## INSTALL THE POINT LIGHT TILTABLE

1. Go through step 1-3 above
2. Insert the luminaire into the opening and tilt/rotate it for intended use. Be careful not to twist the optical fibre cable if you rotate it.

### POINT LIGHT



### POINT LIGHT TILTABLE

