

PARANS

Leading sunlight

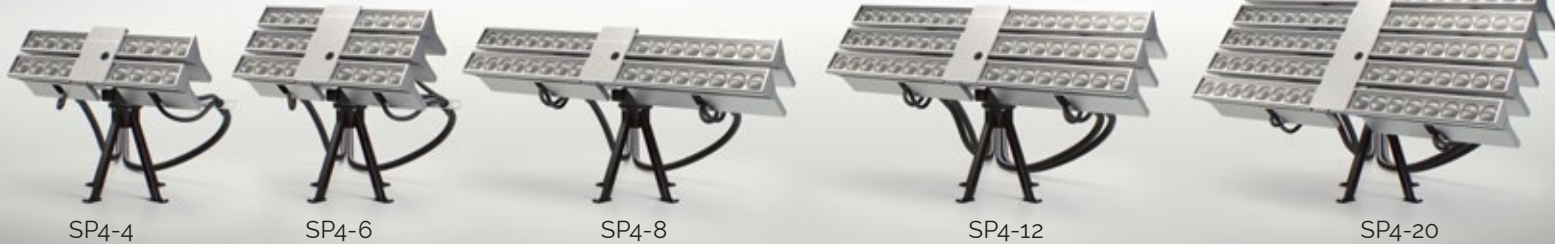
SP4 PRODUCT SPECIFICATION

– FOURTH GENERATION PARANS SYSTEM

- Highest light quality available
- Customized cable length — up to 100 meters
- Modular system: 4-20 light points/collector
- No IR and UV
- Flexible and thin cables
- Connected to the cloud



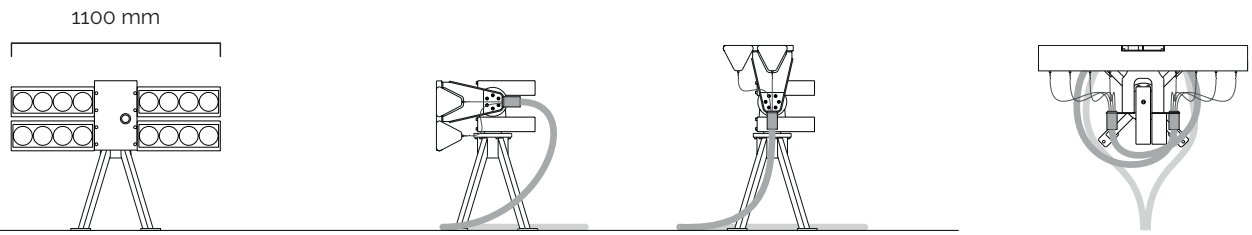
Five sizes



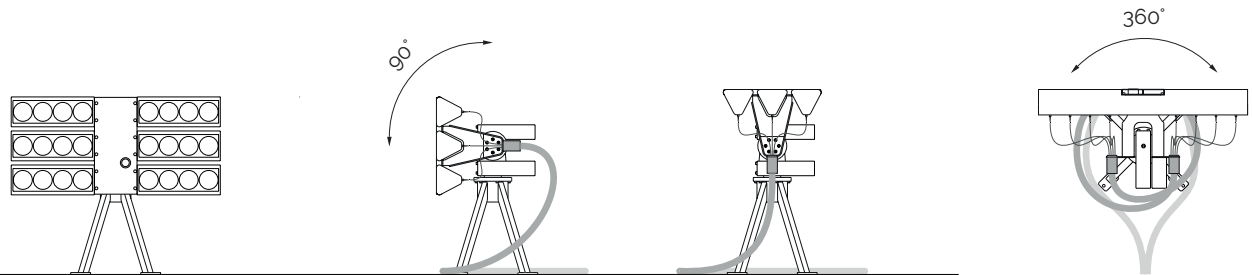
	SP4-4	SP4-6	SP4-8	SP4-12	SP4-20
Width (mm)	1100	1100	1950	1950	1950
Height (mm)	820	940	820	940	1120
Weight (kg) without cables	60	65	75	85	95
Fibre optic cables = light points	4 pcs	6 pcs	8 pcs	12 pcs	20 pcs
Light output (lm)*	3 600–5 200	5 400–7 800	7 200–10 400	10 800–15 600	18 000–26 000
Light output (lm) per cable*	900-1300 (depending on cable length)				
Maximum cable length	100 meters (customized for each cable)				
Fiber optic cable diameter	6 mm				
Minimum bending radius	150 mm				
Power supply	100-250 V AC, 50-60 Hz, 1 cable per system				
Power consumption	0-12 W				
Operating Temperature	-20°C – +50°C				
Materials	Aluminium, Steel, Glass, Acrylic, PE				
IP rating (electronics)	IP65				
Connection	Web Interface (GPRS/3G/4G)				

* All values are based on solar illuminance of 100 000 Lux and dependent on the cable length.

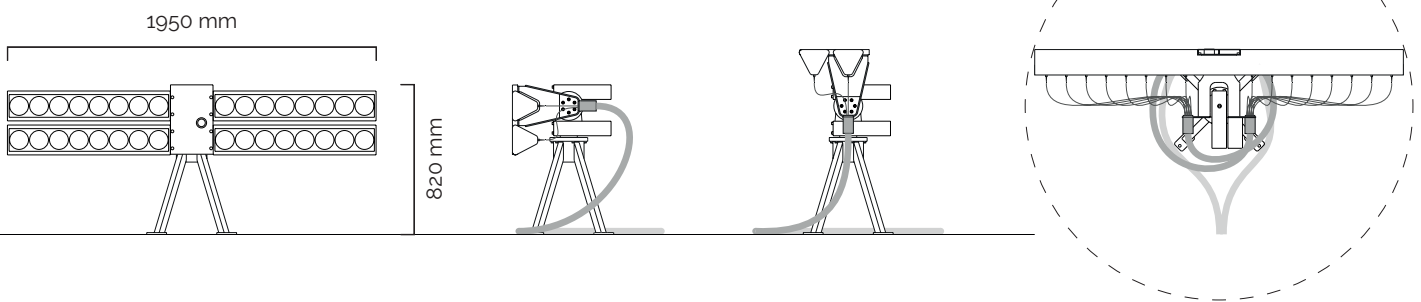
SP4-4



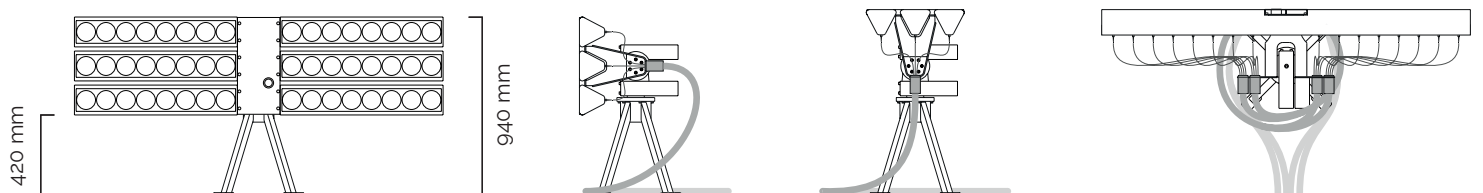
SP4-6



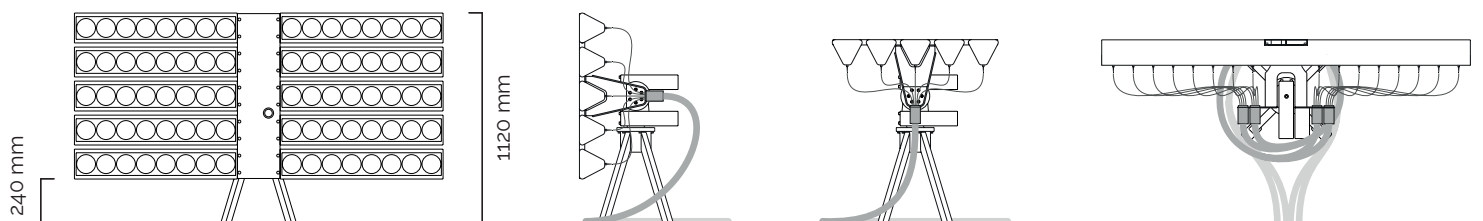
SP4-8



SP4-12



SP4-20



PARANS

Leading sunlight

SP4 LUMINAIRES

– NATURAL LIGHT INSIDE

Spread the light in a variety of ways meeting your demands:

POINT LIGHT — provides light over a large area

CEILING LIGHT — providing light over the ceiling

WALL LIGHT — providing light over the wall

Which light experience do you prefer?

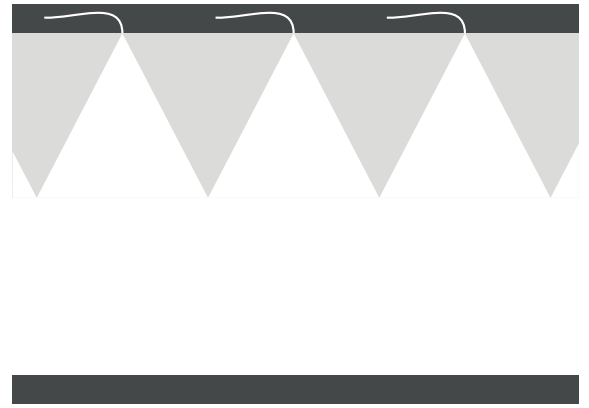
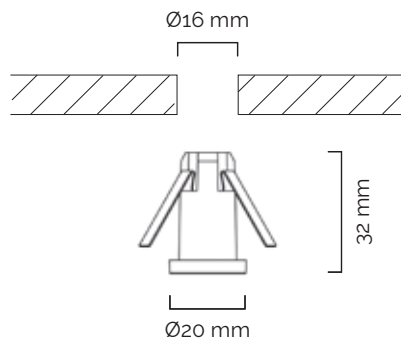
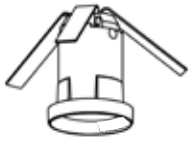


	Point Light Crome	Point Light	Wall/Ceiling Light
Fibre optic cables = light points	1 pcs	1 pcs	1 pcs
Beam angle	55°	55°	55°
Colour*	Crome	White/Grey	White/Grey/Gold
Size (mm)	Ø20 x 32	Ø50 x 28	Ø50 x 28
Weight (kg)	< 0,05	< 0,05	< 0,05
Tilt	–	–	30°
Rotate	–	–	360°
Protection rating	IP 20	IP 44	IP 44
Built-in height (mm)	180	180	180
Mounting hole (mm)	Ø16	Ø40	Ø40
Mounting	Recessed with spring	Recessed with spring	Recessed with spring
Type of ceiling material	Hard	All type	All type
Material	Aluminium		
Light output (lm) per cable**	900-1300 (depending on cable length)		
Maximum cable length	100 meters (customized for each cable)		
Fiber optic cable diameter	6 mm		
Minimum bending radius	150 mm		

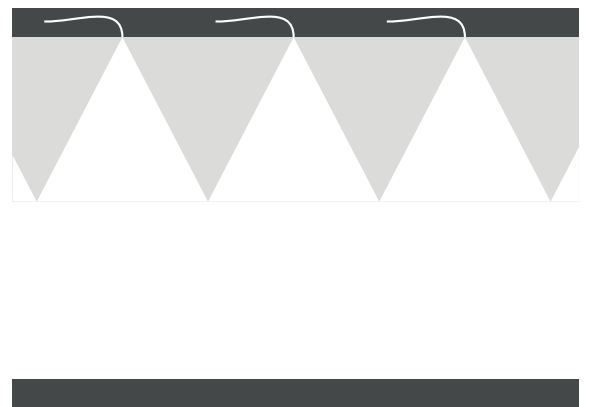
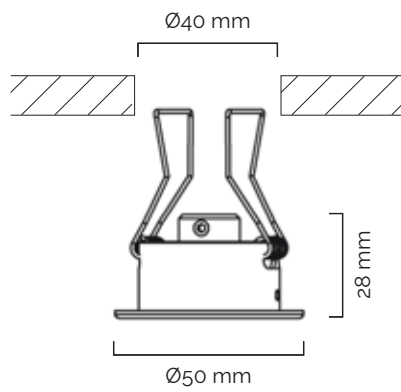
* For other colors or special requests on luminaires, please contact your local sales agent.

** All values are based on solar illuminance of 100 000 Lux and dependent on the cable length.

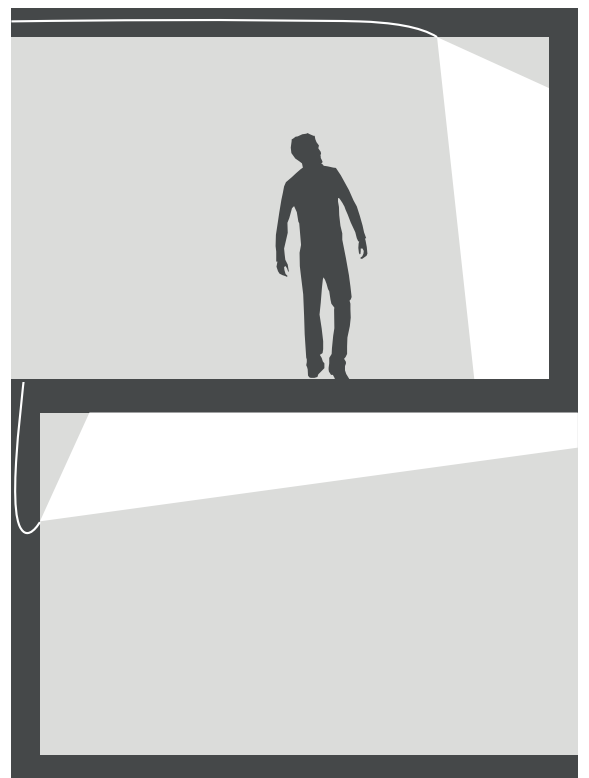
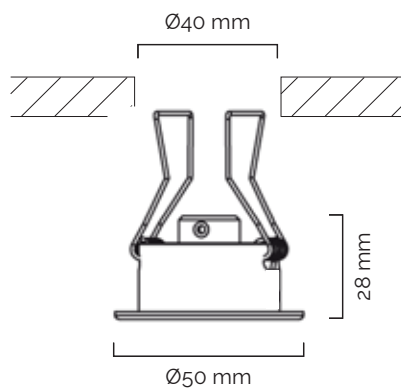
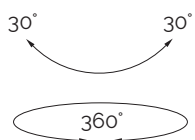
Point Light Crome



Point Light



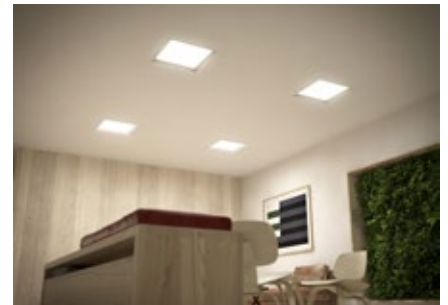
Wall/Ceiling Light



PARANS

Leading sunlight

	Pure Light	Hybrid Light
Fibre optic cables = light points	2 pcs	2 pcs
Colour	White	White
Size (mm)	595 × 595 × 140	595 × 595 × 140
Weight (kg)	6	6
Built-in height (mm)	230	230
Mounting	Tile ceiling (60x60 cm)	Tile ceiling (60x60 cm)
LED light output (lm)	-	990
LED power consumption (lm)	-	15 W
Material	UV-stable thermoplastics and steel	
Light output (lm two cables) *	1800-2600 (depending on cable length)	
Maximum cable length	100 meters (customized for each cable)	
Fiber optic cable diameter	6 mm	
Minimum bending radius	150 mm	

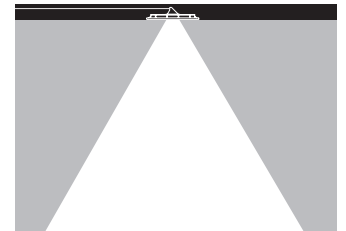
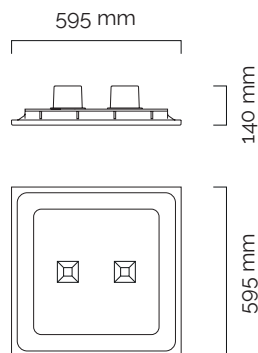


* All values are based on solar illuminance of 100 000 Lux and dependent on the cable length.

Pure Light



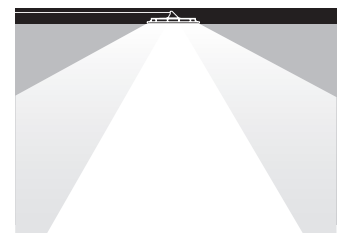
Passive luminaire, which fits into standard tile ceilings (60x60 cm).



Pure sunlight



LED light



LED light and sunlight

Hybrid Light



Hybrid luminaire, which fits into standard tile ceilings (60x60 cm). Sunlight is complemented by LED light.

